

**Register Now**   
[www.delonghi.com/register](http://www.delonghi.com/register)



---

De'Longhi Appliances via Seitz, 47 31100 Treviso, Italy [www.delonghi.com](http://www.delonghi.com)

5713238071\_00\_0718

---

ECAM37X.95

**DINAMICA**  
plus

BEAN TO CUP ESPRESSO AND  
CAPPUCCINO MACHINE

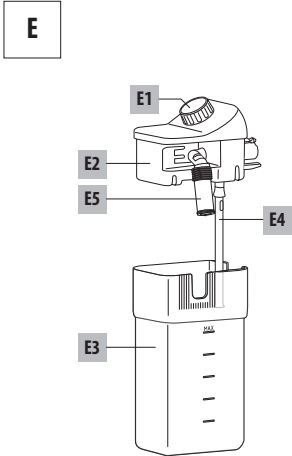
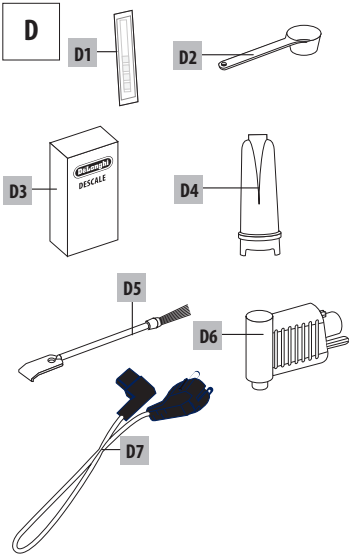
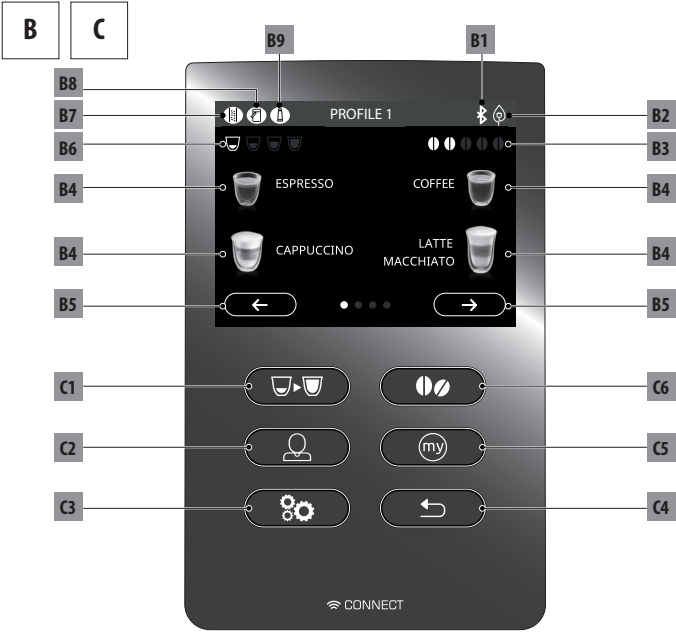
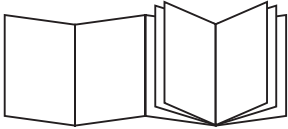
Instruction for Use

Instructions videos available at:  
<http://ecam37095.delonghi.com>



---

**De'Longhi**



**A**

